




**SKAMET**

**WATER TANK**

**BOT**



# Usage and installation manual for the BOT-25 and BOT-22 RV water tanks around the smoke pipe

The Skamet water tanks around the smoke pipe are meant for warming up the sauna water. In conditions, where there is no on-site water system and the obtained water is retrieved from the river, lake or well.

The water tanks are suitable for all of the wood burning stoves which smoke pipe diameters are 115mm. The water pipe is installed directly on to the chimney pipe and smoke pipes extend from the water tank to the exhaust gas duct. The Skamet water tank BOT-25 around the smoke pipe accommodates 25 liters of water and BOT-22 RV accommodates 22 liters of water. The water pipe is equipped with a pipe tip (internal thread ½"), where a faucet is adaptable. The product is made of either 2mm black metal and finished off with a heat resistant paint or 1,2 mm stainless steel. The water tank uses the combustion temperatures, being released from the smoke pipes to heat the water. Because the installed water tank to the smoke pipe by its capacity is small and effective (depending on the tank distance from the oven) then the water might start to boil. To avoid the water from boiling, it is advised to pour out some of the hot water and to add cool water.

## Installation

Connect the smoke pipe to the tank. The Skamet production does not require the usage of transitions and joints. For the other firm products ensure, that the smoke pipe extending from the oven, external diameter would be 115mm. Otherwise it would be necessary to use transitions or joints.

Ensure that the product is firmly attached to the smoke pipe. Connect the tank upper part with the smoke pipe or knee and then to the chimney.

## Good to know

- Keep the tank as full as possible. Welds can crack, when heating the water tank empty.
- Do not use salt water. Salty water causes corrosion and shortens the longevity of the tank.
- Clean the tank regularly. During consumption, rust can precipitate to the bottom of the tank (specially for the black metal tank). It is possible to remove it, through the faucet attached to the tank. Prior to each usage it is possible to eliminate the precipitated rust through the faucet. Clean the tank with water and clean cloth. Do not use any chemicals for cleaning.
- Do not let the water freeze in the tank. During freezing the water physical compounds change, which damage the tank and welding interfaces.
- If the product instructions have not been followed, then the product warranty will not apply.

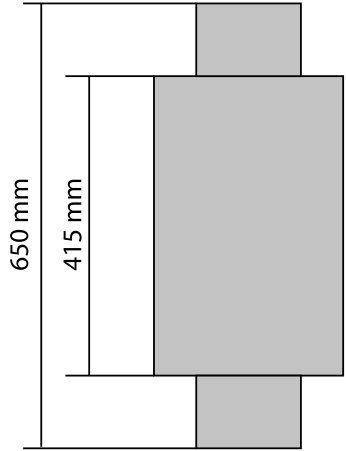
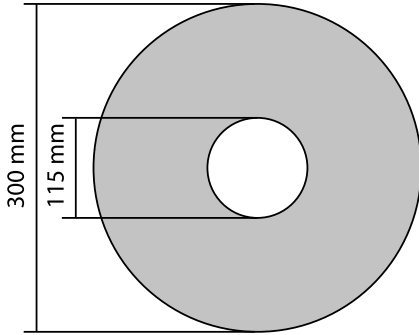
### **BOT-25 General data:**

Height: 650 mm  
Diameter: 300 mm  
Flue pipe diameter: 115 mm  
Capacity: 25 L  
Weight: 10 kg

### **BOT-22 RV General data:**

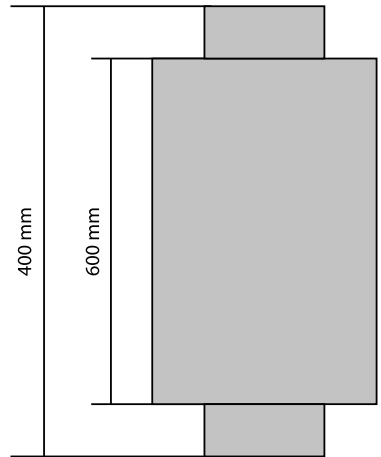
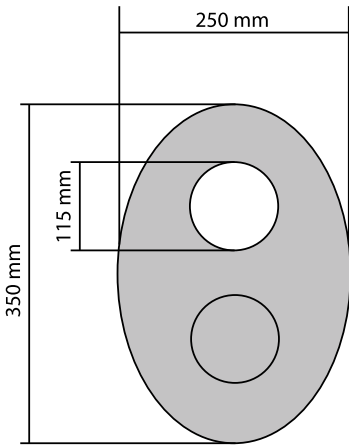
Height: 600 mm  
Width x length: 350x250 mm  
Flue pipe diameter: 115 mm  
Capacity: 22 L  
Weight: 5 kg

## BOT-25



---

## BOT-22 RV



**OÜ Skamet**

**SKAMET**

reg.nr. 11135000  
Savi 9, Pärnu, Eesti  
+372 440 1000  
info@skamet.ee  
www.skamet.ee